

SPREADER SP 64 BS

Part no.
1093902



GRIP



PEELING



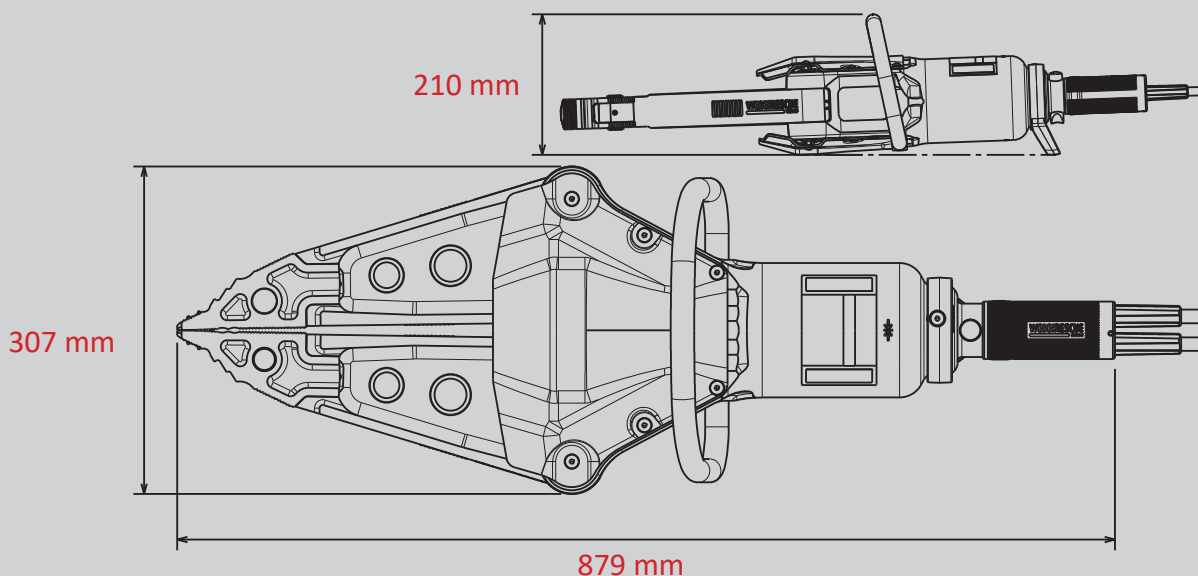
SINGLE



PUSH-CONTROL

Technical specifications:

Spreading width	820 mm
Spreading force (in the working area)	64 - 680 kN
Max. crushing force	129 kN
Range	702 mm
Max. traction power	74 kN
Weight	20,0 kg
Oil demand	0,3 l
Dimensions (LxWxH)	879 x 307 x 210 mm
Nominal pressure	700 bar
EN classification (EN 13204)	BS64/820-20,0



Images are non-binding. We reserve the right to technical modifications.
60004486 (-, -, ALL, 1.1.10.2019)

WEBER-HYDRAULIK GMBH
Heilbronner Straße 30
74363 Güglingen/Germany
Tel +49 7135/71-10270
Fax +49 7135/71-10396
info@weber-rescue.com

Emil Weber Platz 1
4460 Losenstein/Austria
Tel +43 7255/6237-120
Fax +43 7255/6237-12461
info@weber-rescue.com

WEBER RESCUE
SYSTEMS
www.weber-rescue.com